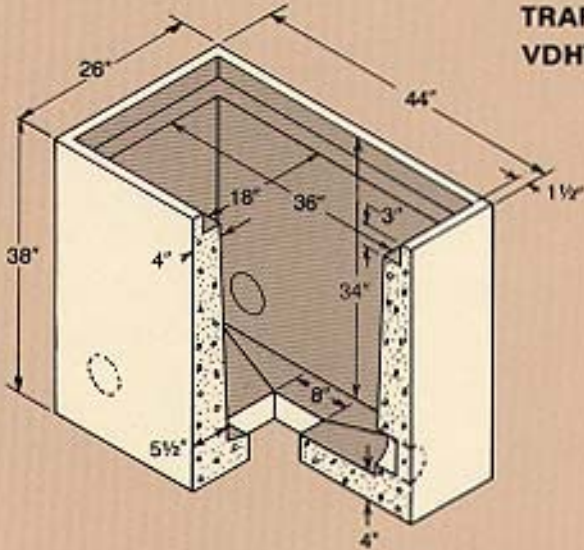


**TRAFFIC SIGNAL HANDBOX,  
VDHT APPROVED**



**DIMENSIONS**  
INSIDE - 18" x 36" x 34"  
**KNOCKOUTS**  
AS REQUIRED  
**TOTAL WEIGHT**  
1,800 LBS.  
**NOTE:** Lifting Inserts provided



**JUNCTION BOX**

**MODEL 1836**