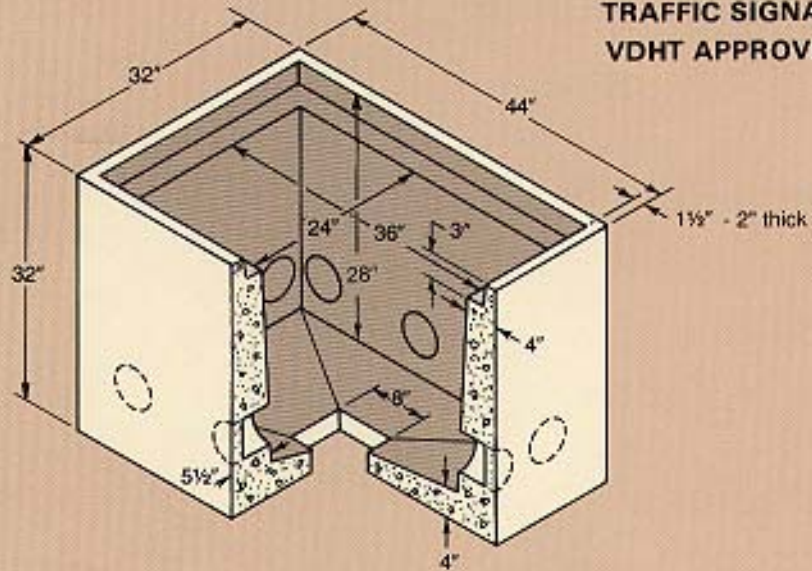


**TRAFFIC SIGNAL HANDBOX,
VDHT APPROVED**



DIMENSIONS

INSIDE - 24" x 36" x 28"

KNOCKOUTS

AS REQUIRED

TOTAL WEIGHT

1,900 LBS.

NOTE: Lifting inserts provided



JUNCTION BOX

MODEL 2436