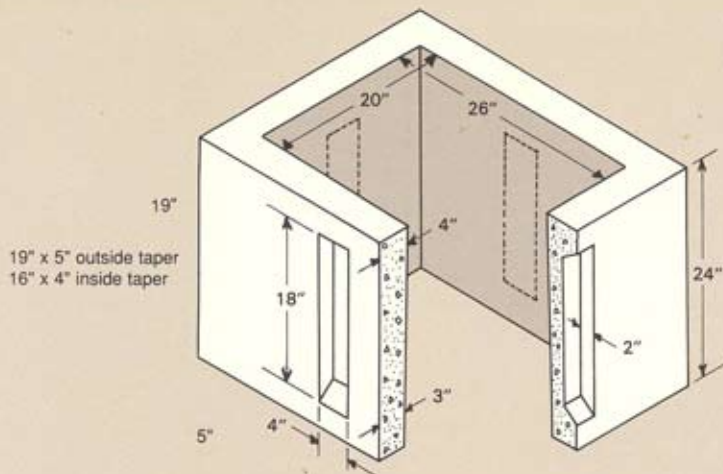


TRAFFIC SIGNAL HANDBOX,  
MARYLAND D.O.T. APPROVED



**DIMENSIONS**

INSIDE - 20"x26"x24"

**KNOCKOUTS**

18"x4", ONE EACH WALL

**TOTAL WEIGHT**

742 LBS.

NOTE: Lifting inserts provided

JUNCTION BOX

MODEL 2026

